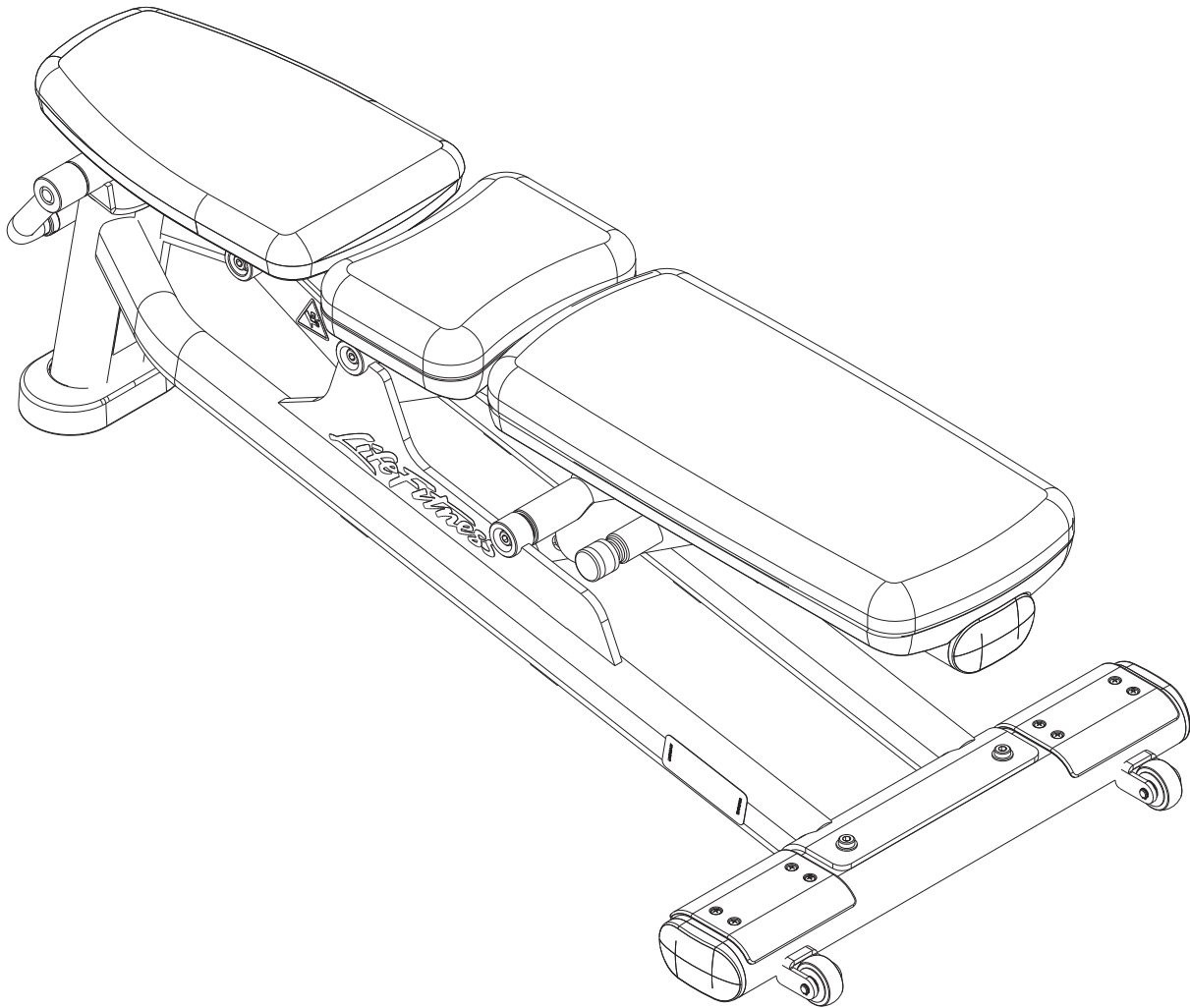




SIGNATURE SERIES
SMAB
SIGNATURE MULTI ADJUSTABLE BENCH



Customer Support Services
PARTS LIST

SMAB SIGNATURE MULTI ADJUSTABLE BENCH CONTENTS

	PAGE
COMPONENT ASSEMBLY	3
COMPONENT ASSEMBLY LEGEND	4
FRAME ASSEMBLY	5
FRAME ASSEMBLY LEGEND	6
BACK PAD SUPPORT ASSEMBLY	7
SEAT ADJUSTMENT ASSEMBLY	8
BASE FRAME ASSEMBLY	9
IMAGE	10

NOTE: SUBSTITUTE PART NUMBERS ENDING WITH 'XX' WITH THE REQUIRED COLOR CODES.

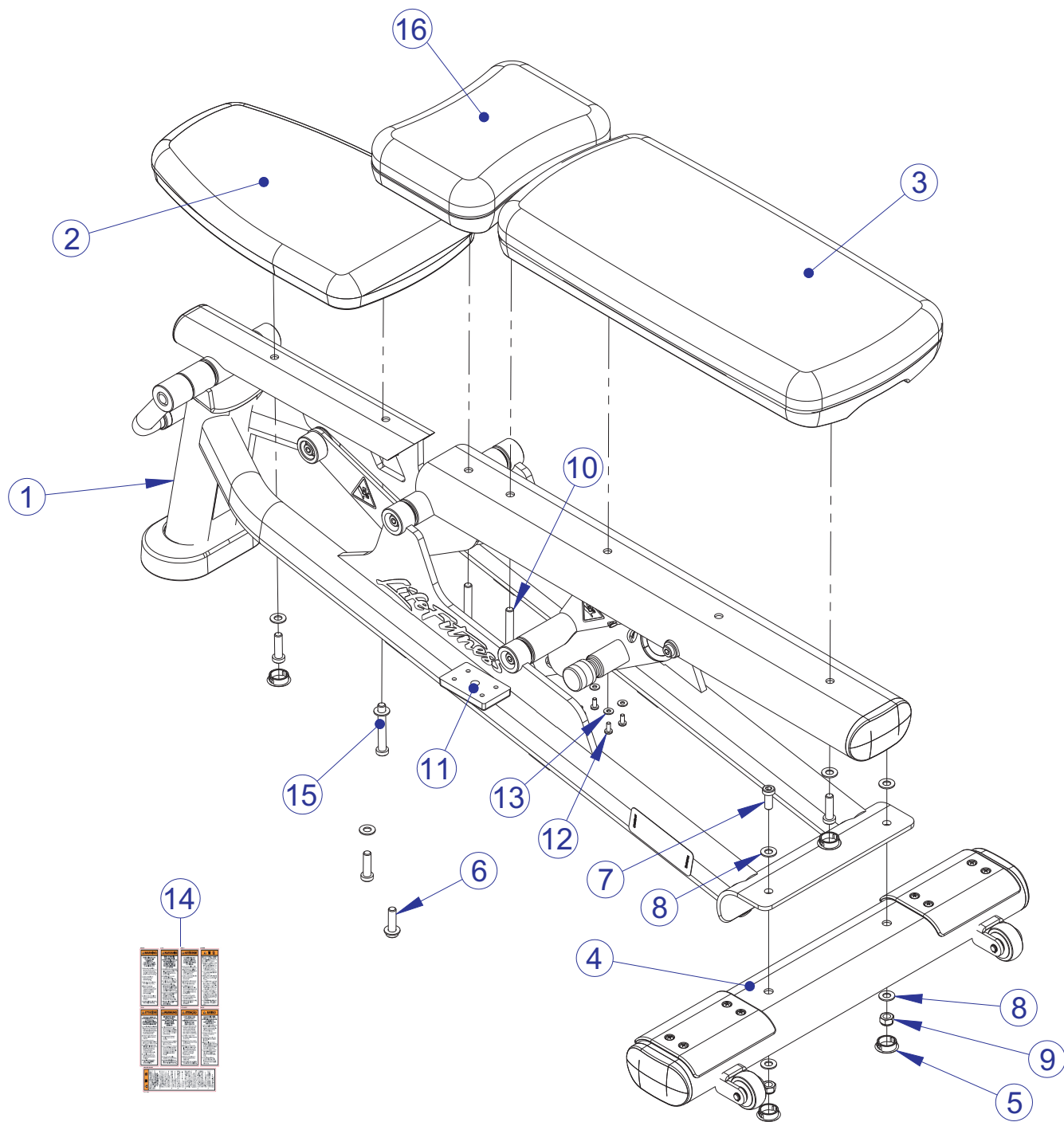
FRAME

01 = WHITE
02 = PLATINUM
03 = BLACK

PADS

01 = BLACK
99 = CUSTOM

SMAB SIGNATURE MULTI ADJUSTABLE BENCH COMPONENT ASSEMBLY

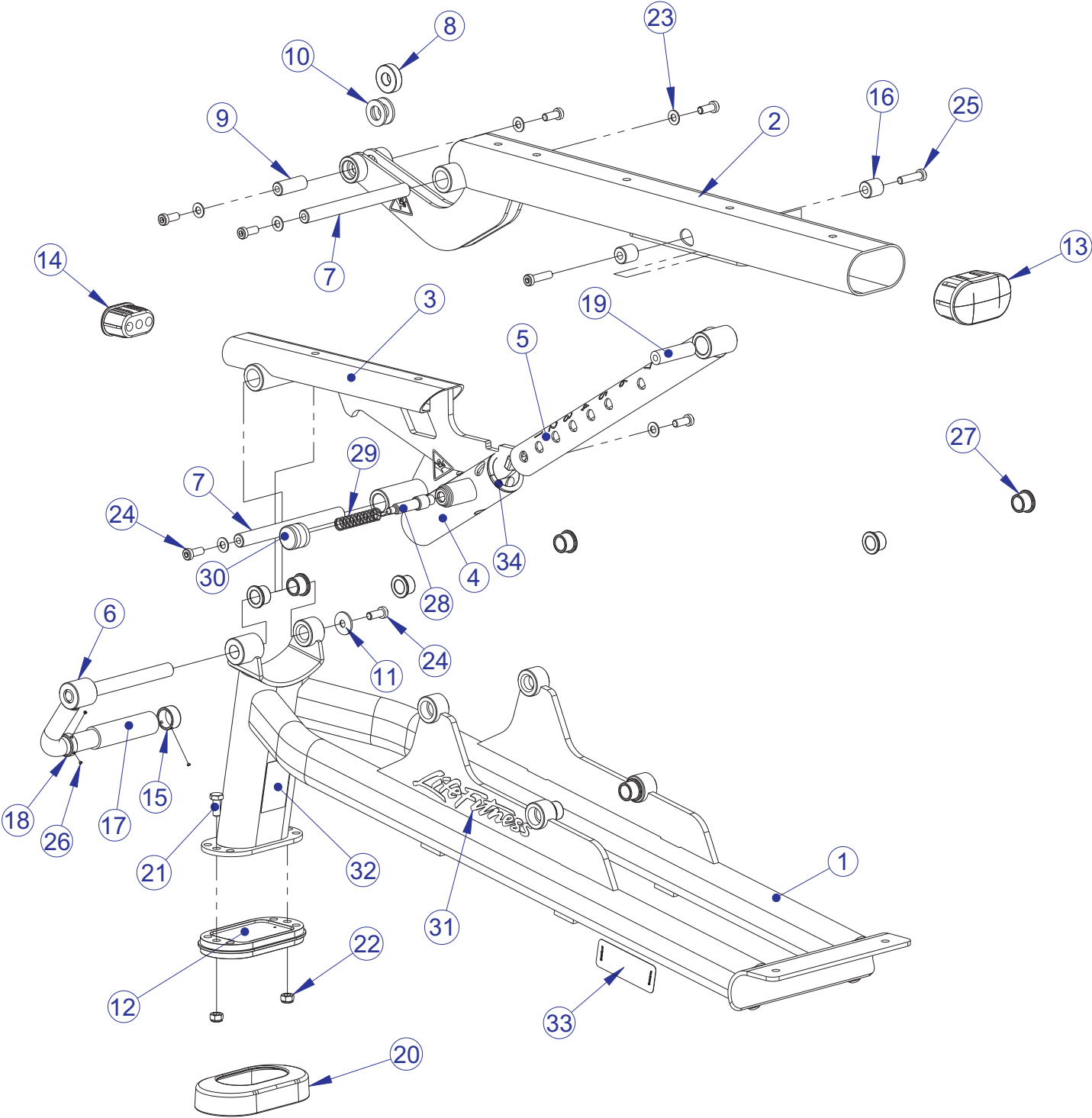


SEE PAGE 4 FOR LEGEND

SMAB SIGNATURE MULTI ADJUSTABLE BENCH COMPONENT ASSEMBLY LEGEND

ITEM NO.	QTY.	PART NO.	DESCRIPTION
1	1	81815XX	ASSY, SMAB, FRAME
2	1	78138XX	PAD, 10 X 16 TAPERED CONVEX
3	1	78140XX	PAD, 24 X 11 FLAT
4	1	80987XX	PTD ASSY, SMAB, BASE FRAME
5	4	3237403	PLUG, 1" HOLE
6	4	3256204	SCREW, M10 X 1.5 35MM ZN
7	2	3256202	SCREW, M10 X 1.5 25MM ZN
8	10	3102514	WASHER, FLAT 3/8" SAE ST ZN
9	2	3242002	NUT, M10 X 1.5 HEX NYLOCK
10	2	3256216	SCREW, M10 X 1.5 95MM ZN
11	1	7810801	PAD, RUBBER FOOT
12	4	3239102	SCREW, M5 X .8 X 12 PHL PAN TT ST BZ
13	4	3114407	WASHER, FLAT #10 SAE ST BZ
14	1	8137701	DECAL, WARNING, HORIZ, MULTI-LANG SHEET
15	1	3256211	SCREW, M10 X 1.5 70MM ZN
16	1	80325XX	PAD, 8 X 11 LUMBAR

SMAB SIGNATURE MULTI ADJUSTABLE BENCH FRAME ASSEMBLY - 81815XX

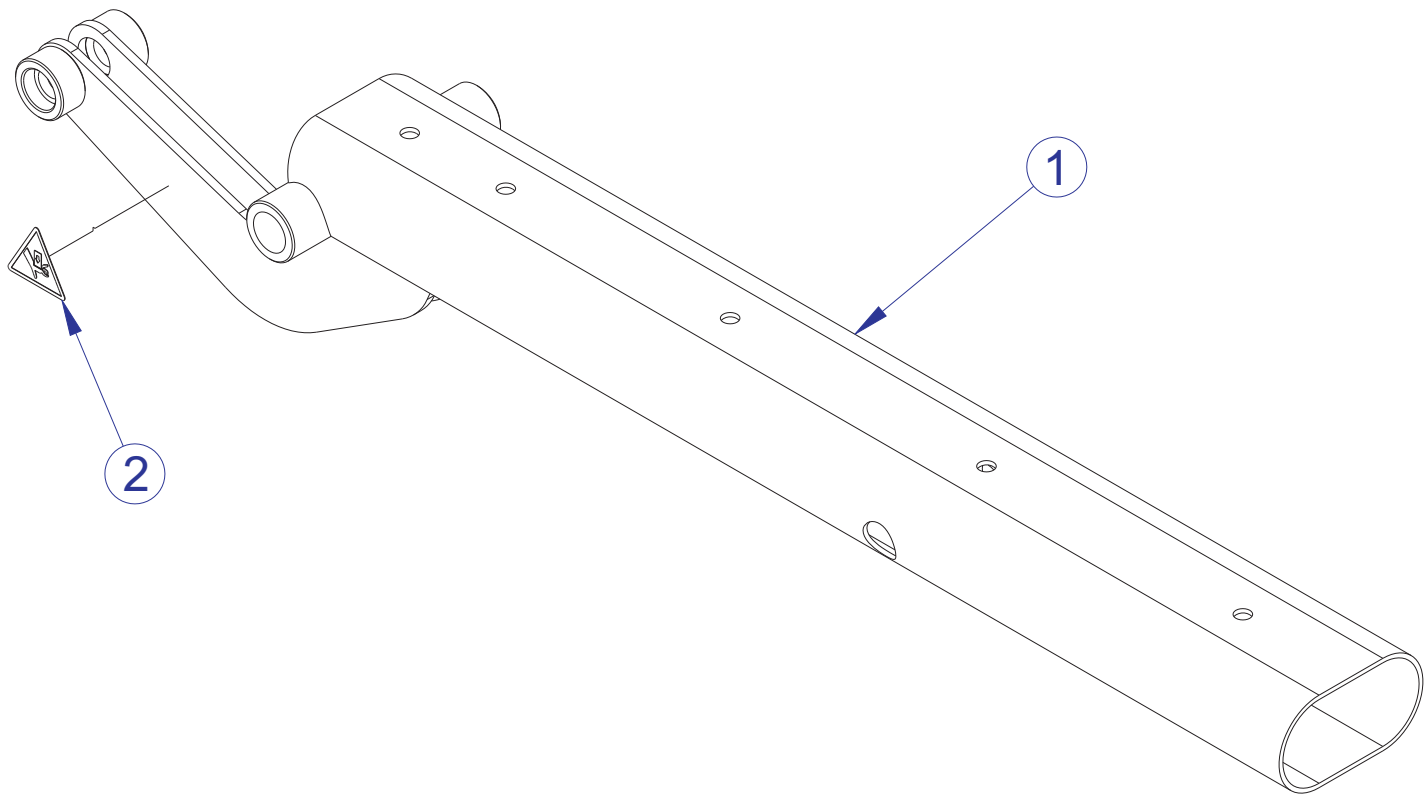


SEE PAGE 6 FOR LEGEND

SMAB SIGNATURE MULTI ADJUSTABLE BENCH FRAME ASSEMBLY LEGEND

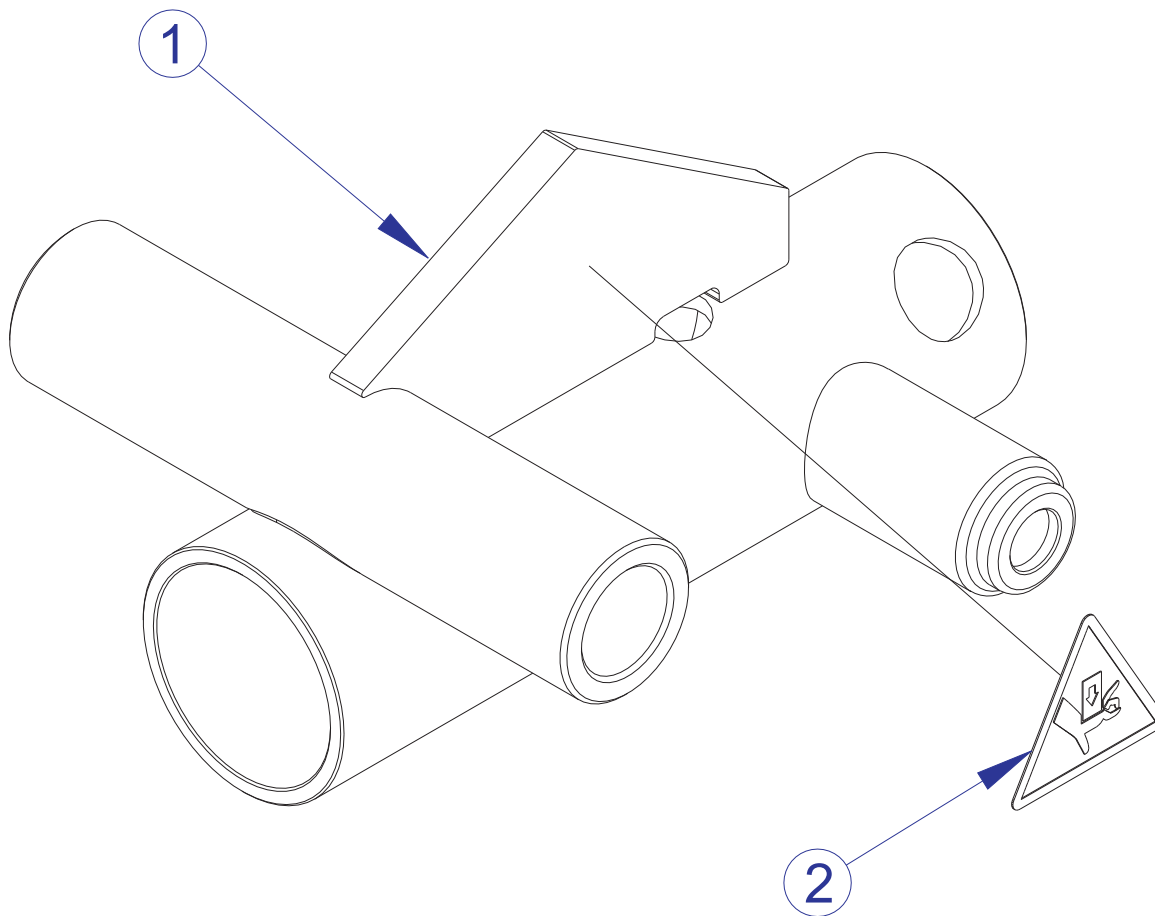
ITEM NO.	QTY.	PART NO.	DESCRIPTION
1	1	81800XX	ASSY, SMAB, FRAME
2	1	82441XX	ASSY, SMAB, BACK PAD SPRT
3	1	81799XX	WLDMT, SMAB, SEAT
4	1	82442XX	ASSY, SMAB, SEAT ADJ
5	1	81379XX	WLDMT, SMAB, SEAT SELECTOR TUBE
6	1	8353901	PTD ASSY, SMAB, HANDLE
7	2	8181301	SHAFT, 0.75" DIAM
8	1	8181001	BEARING, BALL, 6203-2Z, SMAB
9	1	8181401	SHAFT, SMAB, SEAT FRONT PIVOT
10	2	3102513	WASHER, FLAT 3/4 SAE ST ZN
12	1	7763001	FOOT, 2.20 X 4.49 FLOV
13	1	7800401	CAP, LRG FLOV END
14	1	7800501	CAP, SML FLOV END
15	1	7662901	CAP, GRIP 1.25 OD
16	2	8140201	SPACER, 0.94 OD X .42 ID X 1" LONG
17	1	8245801	GRIP, 1.50 OD X 4.5"L
18	1	7662801	RING, GRIP 1.25 OD
19	1	8140101	SHAFT; PIVOT, SMAB
20	1	7340201	COVER; FOOT - STRAIGHT
21	2	3251202	M10 X 1.5 X 25MM UNS HEX CS ST ZN
22	2	3242002	NUT, M10 X 1.5 HEX NYLOCK
23	6	3102514	WASHER, FLAT 3/8" SAE ST ZN
24	6	3256202	SCREW, M10 X 1.5 25MM ZN
25	2	3256205	SCREW, M10 X 1.5 40MM ZN
26	4	3247701	M4 X 0.7 X 3 HZS NO CUP ST BO
27	8	3104901	BEARING, FLG .75 ID X 1.00 OD
28	1	7351302	PIN, PULL X 3.375
29	1	7351501	SPRING; PULL PIN LARGE
30	1	7424801	KNOB, POP PIN
31	2	7865201	LABEL, LIFE FITNESS LOGO
32	1	8106801	LABEL, SERIAL NUMBER, LARGE
33	1	7002501	LABEL; H WARNING 4.5 X 1.625
34	2	8087201	BUSHING, SLIP TUBE, PLASTIC, 55.3MM OD X 45.2MM ID

SMAB SIGNATURE MULTI ADJUSTABLE BENCH BACK PAD SUPPORT ASSEMBLY - 82441XX



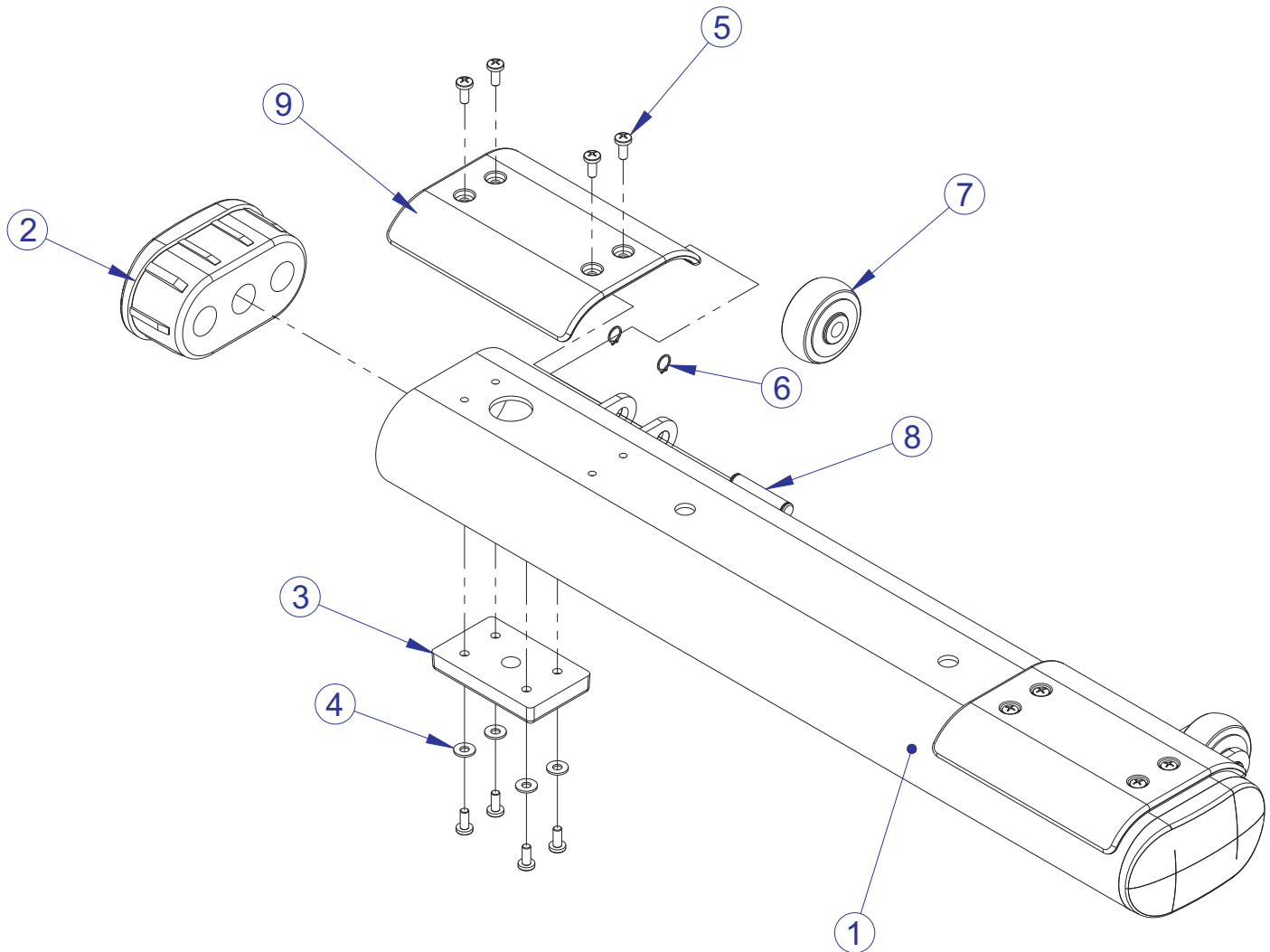
ITEM NO.	QTY.	PART NO.	DESCRIPTION
1	1	82441XX	ASSY, SMAB, BACK PAD SPRT
2	2	8039501	LABEL, WARNING, TRIANGLE

SMAB SIGNATURE MULTI ADJUSTABLE BENCH SEAT ADJUSTMENT ASSEMBLY - 82442XX



ITEM NO.	QTY.	PART NO.	DESCRIPTION
1	1	82442XX	ASSY, SMAB, SEAT ADJ
2	2	8039501	LABEL, WARNING, TRIANGLE

SMAB SIGNATURE MULTI ADJUSTABLE BENCH BASE FRAME ASSEMBLY - 80987XX



ITEM NO.	QTY.	PART NO.	DESCRIPTION
1	1	80986XX	WLDMT, SMAB, BASE SPRT
2	2	7800401	CAP, LRG FLOV END
3	2	7810801	PAD, RUBBER FOOT
4	8	3114407	WASHER, FLAT #10 SAE ST BZ
5	16	3239102	SCREW, M5 X .8 X 12 PHL PAN TT ST BZ
6	4	3232405	RNG, BRE .352,5100-37,ST,PP,B
7	2	7656301	WHEEL, 2 OD X 3/8 ID RUBBER
8	2	7705302	AXLE, WHEEL
9	2	7821701	GUARD, PAINT, SHORT

SMAB SIGNATURE MULTI ADJUSTABLE BENCH IMAGE

